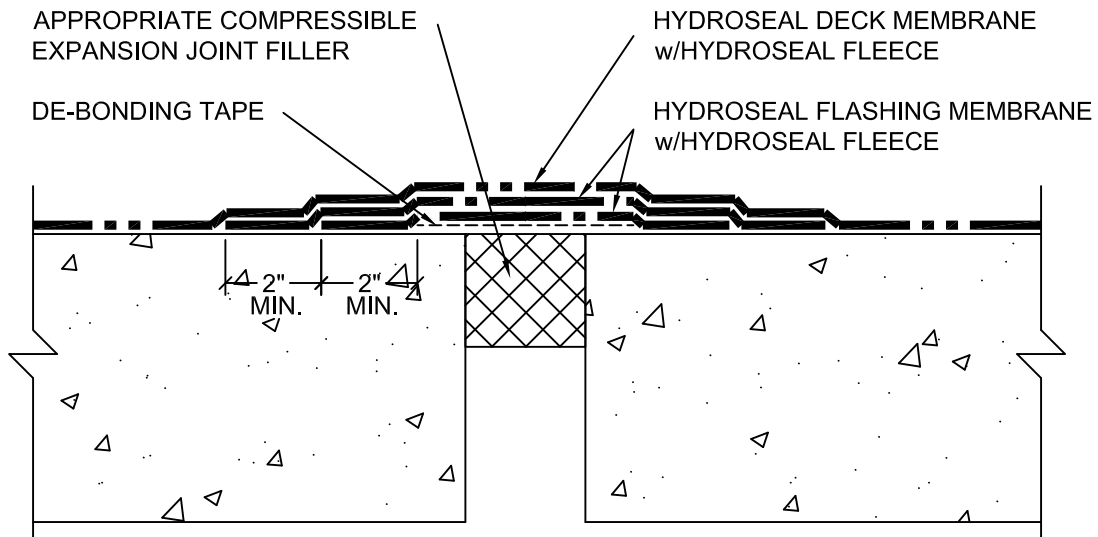


**EXPANSION JOINTS < 1" AS-BUILT WIDTH**



**EXPANSION JOINTS 1" - 2" MAX. AS-BUILT WIDTH**

**NOTES:**

1. SIZE WIDTH OF DE-BONDING TAPE TO PROVIDE UN-BONDED AREA MINIMUM 5X LARGER THAN MAXIMUM ANTICIPATED MOVEMENT.
2. ANY MOVEMENT MAY CAUSE MINOR COSMETIC CRACKING/CRAZING IN ANY FINISH TOPCOAT AND/OR SURFACING APPLIED.
3. APPLICATION OF APPROPRIATE HYDROSEAL PRIMER MUST PRECEDE APPLICATION OF HYDROSEAL FLASHING AND DECK MEMBRANES.
4. ALL HYDROSEAL FLEECE, INCLUDING OVERLAPS, MUST BE SET IN AND COVERED OVER WITH HYDROSEAL RESIN.



**HydroSeal**  
Deck Membrane

**AMERICAN HYDROTECH, INC.**

<b>TYPICAL EXPANSION JOINTS</b>	
SCALE: NONE DATE: 07/19	HS-4

This information is intended only for general conceptual purposes. It is based on data and knowledge considered to be true and correct. It is offered for the user's consideration, investigation and verification and is not intended to substitute for the advice provided by appropriate professionals. Hydrotech assumes no liability for the use of this information. The determination of the suitability and applicability of this information is the sole responsibility of the user.