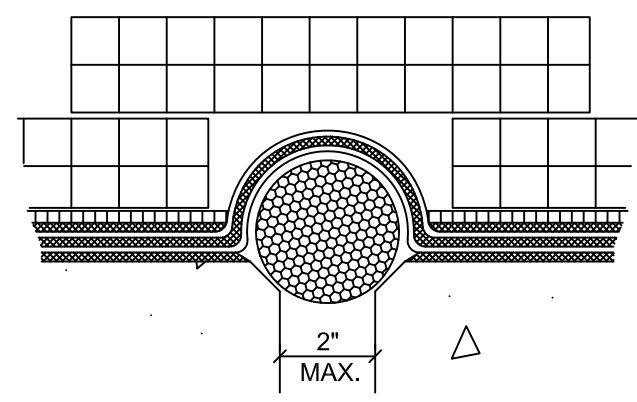


HALF PVC PIPE



STACKED/BRIDGED STYROFOAM INSULATION

- NOTES:
1. DETAIL DESIGNED FOR JOINTS WITH MAX. MOVEMENT ACCOMMODATION FACTOR OF 25%.
 2. BACKER ROD SHOULD BE A MINIMUM 1" LARGER IN DIAMETER THAN MAXIMUM AS-BUILT JOINT OPENING.
 3. IN COVERED/BURIED CONDITIONS, ADEQUATE PROTECTION MUST BE PROVIDED FOR FLASHING FROM SUBSEQUENT TOPPING/BACKFILL. WHENEVER POSSIBLE THE EXPANSION JOINT SHOULD BE EXTENDED UP THROUGH ALL TOPPING LAYERS.

Monolithic Membrane 6125-FR
WATERPROOFING SYSTEMS

AMERICAN HYDROTECH, INC.

FIELD EXPANSION JOINTS
1"-2" MAX. AS-BUILT WIDTHS

SCALE: NONE DATE: 11/01/17	W-6B
-------------------------------	------

This information is intended only for general conceptual purposes. It is based on data and knowledge considered to be true and correct. It is offered for the user's consideration, investigation and verification and is not intended to substitute for the advice provided by appropriate professionals. Hydrotech assumes no liability for the use of this information. The determination of the suitability and applicability of this information is the sole responsibility of the user.