

METAL COPING
 REF. DETAIL R-13 FOR
 ALTERNATE TERMINATIONS

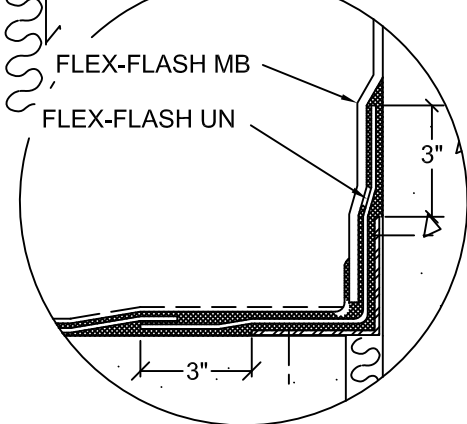
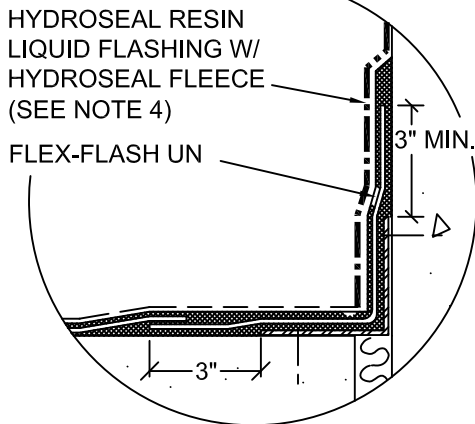
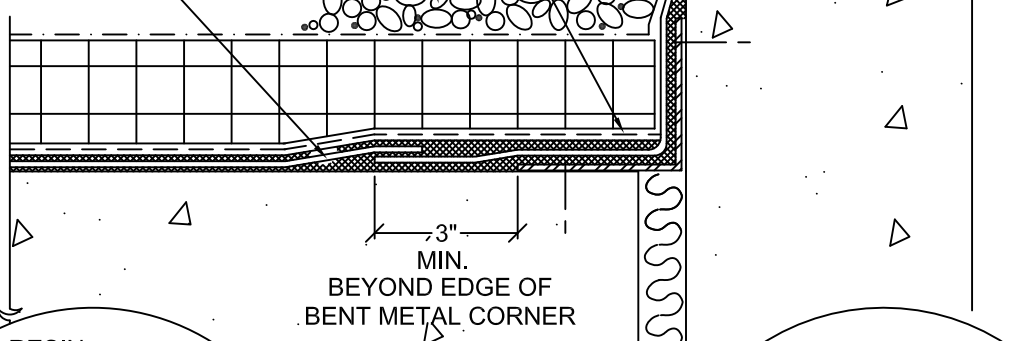
BONDING ADHESIVE

FLEX-FLASH UN, FLEX-FLASH MB,
 HYDROSEAL, OR OTHER APPROVED
 FLASHING. REF. DETAIL R-12 FOR
 ALTERNATE CORNER TRANSITIONS

HYDROFLEX 10
 SEPARATION SHEET OR
 OTHER APPROVED PROTECTION

APPROPRIATE SURFACING-
 STONE OR PAVER BALLAST,
 HYDROGUARD, GARDEN ROOF

MONOLITHIC MEMBRANE
 6125-FR



NOTES:

1. BENT SHEET METAL CORNER MUST BE OF SUFFICIENT GAUGE AND SECURED TO THE DECK AND WALL SUFFICIENTLY TO PREVENT BUCKLING.
2. FLEX-FLASH UN MUST BE USED TO REINFORCE MM6125 OVER THE BENT METAL CORNER.
3. METAL SUBSTRATE REQUIRE ROUGHENING/SANDING, IN ADDITION TO WIPING W/SURFACE CONDITIONER FOR PROPER ADHESION OF MM6125. ALSO, IT MUST BE FREE OF ALL OIL AND RUST.
4. HYDROSEAL RESIN MUST EXTEND 4" MIN. ONTO THE APPROVED SUBSTRATE BEYOND THE MM6125 TERMINATION.



Monolithic
 Membrane
6125-FR
 ROOFING SYSTEMS

AMERICAN HYDROTECH, INC.

TYPICAL PARAPET
 AT PRECAST WALL

SCALE: NONE
 DATE: 10/24/19

R-11D